



ThermCONTROL

The thermostat is flush mount and a back box of 35mm depth should be sunk in the wall prior to installation.

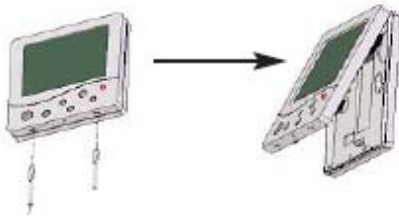
The thermostat should be mounted at around 6ft or eye level.

Do not install near a direct heat source.

Installation Instructions

Step 1

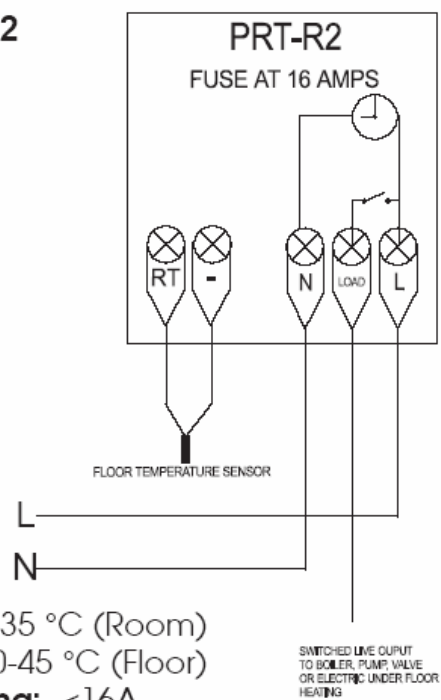
Carefully separate the front half of the thermostat from the back plate by placing a small flat head terminal driver into the slots on the bottom face of the thermostat.



Step 2

Carefully unplug the ribbon connector which is plugged into the front half of the thermostat. Place the thermostat front half somewhere safe. Terminate the thermostat as shown in the diagrams.

Heatmiser PRT-R2

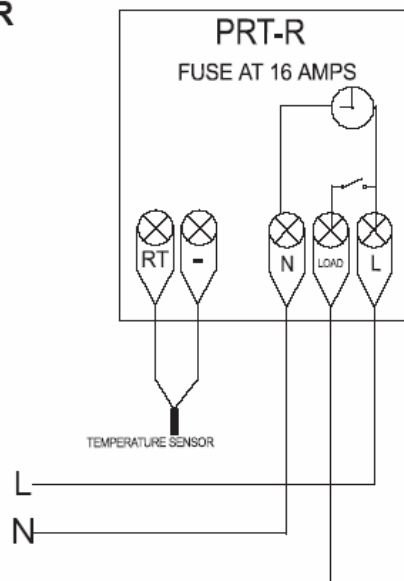


Set-point range: 5-35 °C (Room)

Set-point range: 20-45 °C (Floor)

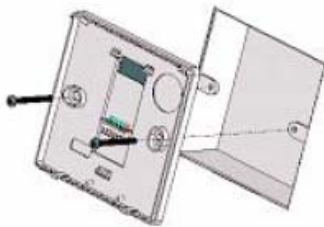
Switch Current Rating: <16A

Heatmiser PRT-R



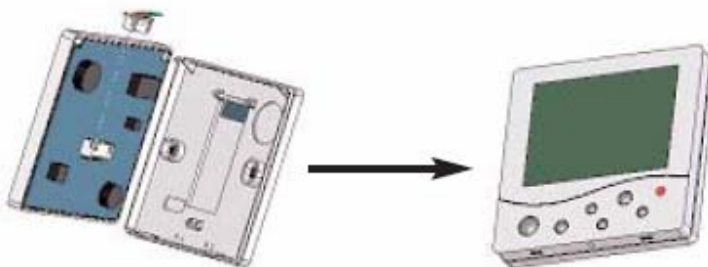
Set-point range: 5-70 °C
Switch Current Rating: <16A

Screw the thermostat back plate onto the back box.



Step 3

Re-connect the thermostat ribbon cable and clip the two halves together.



Step 4

Turn on the power to the thermostat and allow the thermostat to stabilise for 1 hour before calibrating.

2. Terminology

Set Temperature

This is the temperature the thermostat is currently controlling to. At any time, you can press the Up/Down arrow key and the display will show the Set Temperature for 30 seconds.

RT (Room Temperature)

This is the actual room temperature.

Frost Protection (By pressing "H")

To protect the fabric of the building, the thermostat has a "frost protection" facility. Should the temperature drop below this temperature the heating will be switched on. On certain models the frost protection temperature is adjustable.

Temperature Calibrating

When the thermostat is first installed it requires calibrating. This means taking an accurate reading from a thermometer and then adjusting the thermostat to compensate for any difference. This only needs to be done once and it is recommended that it is done after the thermostat has been operating for 1 hour.

Clock

ThermCONTROL has a built in clock. This is displayed in 24 hr format.

Frost Protection (Thermostat Off)

The thermostat can be made to offer frost protection even when the thermostat is turned off by the On/Off button. In order for this to work, this function must be enabled.

Comfort Levels

The programmable thermostat has 4 comfort levels per weekday/weekend.

The new method of control is not to have on / off times but to allow the occupant to set varying temperature levels throughout the day.

For example;

08.00 - 21 (Wake) 09.30 - 16 (Go to Work)

16.30 - 22 (Return home) 23.00 - 17 (Sleep)

As the programmable thermostat incorporates a 5/2 day clock, 4 levels can be programmed for the weekday and 4 different levels can be programmed for the weekend.

3. Frost Protection (Thermostat Off)

To enable this operation follow the steps below.

Turn the thermostat off by pressing ***

Press ** for 3 seconds.

Select 01 to enable

Select 00 to disable

The thermostat will maintain the frost protection temperature during this mode.

4. Temperature Calibration

When you first install the thermostat, you must calibrate it. Turn off the thermostat by pressing Press ** and H for 3 seconds.

The display will show the actual temperature. Use the Up/Down arrow keys to adjust the temperature to the correct value.

Press *** to turn off the thermostat and to store the new setting.

5. Setting the Clock

With the thermostat turned on, press ** twice

** will be displayed.

Use the Up/Down arrow keys to set the minutes

Press H to accept the minutes

Use the Up/Down arrow keys to set the hours

Press H to accept the hours

Use the Up/Down arrow keys to set the week day.

To store the new setting, press A

6. Manual Heating Override (Frost Protection)

To put the thermostat in to frost protection mode, press H. A frost protection symbol will appear on the screen.

To cancel the frost protection mode, press H again. The frost symbol will be removed.

7. Floor Sensor Limit (PRT-R2 Only)

The PRT-R2 allows you to program a floor limit temperature. To enable this feature, press and

UP for 3 seconds. 00 = Disabled 01=enabled

To set the floor maximum limit, follow these steps.

With the PRT-R2 turned off

Press H and UP for 3 seconds

You are now prompted to enter the floor limit

Range = 20 - 45 °C

8. Setting the Comfort Levels

To begin programming the comfort levels, press **

**** is displayed as well as the number 1 and

Mo, Tu, We, Th, Fr,

You are now able to program the first comfort level for the weekday. You first program a time, followed by the desired temperature.

Enter the first comfort level time. (eg - 07.00)

Press H to accept this time setting.

Then enter the desired temperature. (eg - 21°)

Press H to accept this temperature setting.

You should now repeat this operation for comfort levels 2,3,4. program these in the same way. You will notice that whilst programming the weekend levels, Sa, Su is highlighted on the display.

As described earlier, you should think of these temperatures as “wake, leave, return and sleep”. For any unused levels, set the time and temperature to --.—

After you have programmed the week day comfort levels you are prompted to program the weekend levels.

You should program these in the same way.